



CITY OF WASHINGTON, ILLINOIS
Public Works Committee Agenda Communication

Meeting Date: 07-06-2021

Prepared By: Kevin Schone – Public Works Director

Agenda Item: Backhoe Purchase Consideration

Explanation: This fiscal year’s budget allows for replacement of the 2012 Caterpillar 420F backhoe. Staff advertised the bid opening on June 15th and bids were opened on June 30th with the results of the bids shown below.

Company Name				Discription		Bid Prices	
				Price Fully Assembled and Working	\$	108,850.00	
				Trade 2012 Cat 420F	\$	45,500.00	
Company:	Martin Equipment			Hydraulic Hammer	\$	13,500.00	
				Hammer Trade	\$	2,500.00	
				Total Backhoe and Hydraulic Hammer After Trade	\$	74,350.00	
				Price Fully Assembled and Working	\$	117,750.00	
				Trade 2012 Cat 420F	\$	45,000.00	
Company:	Birkey's			Hydraulic Hammer	\$	11,000.00	
				Hammer Trade	\$	1,750.00	
				Total Backhoe and Hydraulic Hammer After Trade	\$	82,000.00	
				Price Fully Assembled and Working	\$	110,000.00	
				Trade 2012 Cat 420F	\$	28,000.00	
Company:	Altorfer			Hydraulic Hammer	\$	7,000.00	
				Hammer Trade	\$	2,000.00	
				Total Backhoe and Hydraulic Hammer After Trade	\$	87,000.00	

As you can see Martin Equipment of Goodfield is the low bid at \$74,350.00 after the trade, a savings of \$12,650 from the high bid of Altorfer’s. Attached are the supporting documents.

Fiscal Impact: \$135,000 has been budgeted in account #502-000-800-1500

Recommendation/

Committee Discussion Summary: Staff recommends purchase of the new backhoe from Martin Equipment of Goodfield Illinois in the amount of \$74,350 after trade.

Action Requested: Direction to bring forward to the City Council meeting of July 6, 2021 for approval.



Martin Equipment
 400 W. Martin Dr
 Goodfield, IL 61742
 (309) 965-2502

Quote Issued To : CITY OF WASHINGTON 301 W WALNUT ST ATTN: JEANETTE GLUECK WASHINGTON , IL , 61571 309-444-3196	QUOTATION Quote # : 1012456 Issue Date : 6/29/2021 Expire Date : 7/7/2021 Est Delivery : 9/27/2021 FOB :
Quote Issued By : Hofer, Ken - 309-635-8961	

ITEMS LISTED FOR SALE

Item #	Year	Make	Model	Serial #	Hours	Sale Price
	2021	JD	310SL	(TBD)	0	108,850.00

310SL BACKHOE LOADER
 English Decals with English Operator and Safety Manuals
 JDLink Ultimate 5 Year Subscription
 MFWD with traction-control limited-slip differential: Electric on/off control / Sealed axle
 Cab - Headliner, dome light, left and right cab doors, tinted safety glass, windshield wipers (1 rear and 1 front) front windshield washer, fresh-air intake, and heater/defroster/pressurizer, A/C, -CFC-FREE R134A Refrigerant
 Front View Mirror
 Radio, Bosch AM/FM/Weather Band
 Sun Visor
 Seat, Cloth Air-Suspension
 Dual Maintenance Free Batteries With with 360-min. reserve capacity and 1,850 CCA & Disconnect and Jump Post
 LED 10 Light Package
 Extendible Dipperstick
 Auxiliary Hydraulic with One & Two Way Flow (For Hammer & Thumb/Swinger Operation)
 Pilot Controls, Two Lever, with Pattern Selection
 DEERE Standard Quick Coupler - Less Thumb
 24" (610 mm) Wide, Severe-Duty, 7.5 Cu. Ft.(0.21 Cu. M.) Capacity Bucket
 Heavy-Duty Stabilizer Pads
 Heavy-Duty Backhoe Bucket Cylinder
 Loader Coupler, 3-Function Hydraulics, Single Lever Control - connects with Deere & Cat backhoe loader coupler attachments.
 1000 Lb. (454 kg) Front Counterweight
 John Deere PowerTech EWL 4.5L (276 Cu. In.) Engine Meets Final Tier 4 and Stage IV Emissions w/ Auto Idle & Auto Shutdown
 Diagnostic Oil Sampling Ports
 Ride Control
 Galaxy 550 Radial Tires - 500/70R24 Rear & 340/80R18 Front
 2 Position Hood, Loader Boom Service Lockout
 Hingable Coolers for Easy Cleanout
 Parking/emergency brake with electric switch control. Spring applied, hydraulically released wet multi-disc / Independent of service brakes
 500Hr Service Intervals
 Heavy Lift Mode - up to 15% More Craning Capacity
 John Deere Full Coverage Warranty 12mo./ unlimited Hours

Total: 108,850.00

TRADE ALLOWANCES

TIV #	Year	Make	Model	Serial #	Trade Allowance
CAT0420FAJWJ00656	2012	CATERPILLAR	420F IT	CAT0420FAJWJ00656	45500.00
Total Trade Allowances :					45,500.00

Notes

Optional Extended Warranty Available -

QUOTE SUMMARY

Total Sale Price :	108,850.00
Less Trade Allowance :	45,500.00
Additional Taxable Items :	0.00
<hr/>	
Subtotal:	63,350.00
Sales Tax :	0.00
Additional Nontaxable Items :	0.00
<hr/>	
Total :	63,350.00

Acceptance Signature: _____ **Date:** _____

All quotations contingent upon strikes, delays, and conditions beyond our control. Prices subject to change with or without notice.
All prices are subject to expiration of any current sales programs and incentives.

PROPOSAL

The undersigned proposes, in accordance with the terms and conditions of the Contract Documents, of which this Proposal is a part, to furnish 1 Backhoe Loader with hydraulic hammer to the City of Washington

Quantity: 1

Description: **Backhoe Loader**

Price of Fully Assembled and Demonstrated full Working Condition \$ 108,850.⁰⁰

Trade Allowance 2012 Cat 420F IT VIN# JWJ00656 \$ 45,500.⁰⁰

Description: **Hydraulic Hammer**

Price of Fully Assembled and Demonstrated full Working Condition \$ 13,500.⁰⁰

Trade Allowance NPK H-3XA SN37595 \$ 2,500.⁰⁰

Total - Backhoe and Hydraulic Hammer After Trades \$ 74,350.⁰⁰

Cash Billing Terms: NET 10

Person to Contact Regarding This Proposal: Ken Hofer

Phone Number: 309 635 8961

The undersigned also acknowledges having received a full set of the Contract Documents and Addenda Nos. 1 (None unless indicated).

Signature: 

Name of Business: MARTIN Equipment

Business Address: 400 W. MARTIN Dr
Goodfield IL, 61742

Business Phone: 309-965-2502

SPECIAL PROVISIONS

1. Basis of Award

Unit price shown on the proposal shall include **all** delivery charges for the proposed equipment. **The City reserves the right to waive technicalities or to reject any and all bids when, in the opinion of the City Council, the best interests of the City of Washington will be served by such action.**

6. Ordering and Delivery

Order shall be placed by telephone direct to the selected vendor by personnel of the City of Washington, Department of Public Works. A purchase order number will be furnished to the vendor and a delivery date will be agreed to at that time.

7. Billing

An invoice for the accepted equipment will be presented at the time of delivery, a check will be presented for payment. The invoice must clearly show the description, unit price, and the City's Purchase Order number.

8. Price Escalation

The price quoted herein shall remain firm for the equipment ordered.

9. Certification of Compliance

In accordance with Article 33E of the Criminal Code of 1961, as amended, the bidder is required to fill out and submit with his proposal the Certification of Compliance included with this bid document.

10. Exceptions to Specifications

Any exceptions to the specifications and these provisions shall be clearly explained on a separate page by the bidder on his firm's letterhead, to be attached to and submitted with these documents prior to or at the time of bid opening. Should a bidder submit a proposal without a separate statement of exception, it shall be assumed the proposal is in full compliance with these specifications.

11. Corrections

All prices and notations must be typed in or written in ink.

CERTIFICATION OF COMPLIANCE

The undersigned, being first duly sworn on oath, deposes and states that he has the authority to make this certification on behalf of the bidder.

MARTIN Equipment
(Name of Company)

- (a) That in connection with this procurement,
 - (1) the prices in this bid have been arrived at independently, without consultation, communication, or agreement, for the purpose or restricting competition, as to any matter relating to such prices with any other bidder or with any competitor;
 - (2) the prices which have been quoted in this bid have not been knowingly disclosed by the bidder and will not be knowingly disclosed by the bidder prior to opening directly or indirectly to any other bidder or to any competitor; and
 - (3) no attempt has been made or will be made by the bidder to induce any other person or firm to submit or not to submit a bid for the purpose of restricting competition.

- (b) The undersigned further states
 - (1) he is the person in the bidder's organization responsible within that organization for the decision as to the prices being bid herein and that he has not participated, and will not participate, in any action contrary to (a)(1) through (a)(3) above; or
 - (2)(a) he is not the person in the bidder's organization responsible within that organization for the decision as to the prices being bid herein but that he has been authorized to act as agent for the persons responsible for such decision in certifying that such persons have not participated, and will not participate, in any action contrary to (a)(1) through (a)(3) above, and as their agent does hereby so certify; and (b) that he has not participated, and will not participate in, any action contrary to (a)(1) through (a)(3) above.

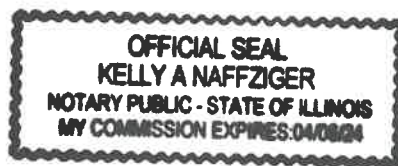
- (c) The undersigned certifies that the bidder is not barred from bidding on this contract as a result of a conviction for the violation of State laws prohibiting bid-rigging or bid-rotating.

- (d) It is expressly understood that the foregoing statements, representations, and promises are made as a condition to the right of the bidder to receive payment under any award made hereunder.

Authorized Signature: *[Handwritten Signature]*
Title: SALES MANAGER

SUBSCRIBED AND SWORN TO before me this

30 day of June, 2021.
[Handwritten Signature]
Notary Public



BACKHOE LOADER BID SPECIFICATION

Basic Specifications		
Y <input checked="" type="checkbox"/>	N <input type="checkbox"/>	Is Backhoe built in the United States?
Y <input checked="" type="checkbox"/>	N <input type="checkbox"/>	Maximum operating weight must be less than 20,000 pounds
Y <input checked="" type="checkbox"/>	N <input type="checkbox"/>	Machine shall have full 1 year comprehensive manufacturers warranty
Y <input checked="" type="checkbox"/>	N <input type="checkbox"/>	Machine shall be equipped with an economy control function
Y <input checked="" type="checkbox"/>	N <input type="checkbox"/>	Maximum overall transport height shall be 11' -12' with standard tires and extendable stick
Y <input checked="" type="checkbox"/>	N <input type="checkbox"/>	Unit shall have a max. height to the top of canopy of 9' 3" w/std. tires
Y <input checked="" type="checkbox"/>	N <input type="checkbox"/>	Maximum overall transport length shall be 23'6" with standard tires, extendable stick, and loader coupler
Y <input checked="" type="checkbox"/>	N <input type="checkbox"/>	Units maximum width shall be no more than 7'7" with GP bucket
Y <input checked="" type="checkbox"/>	N <input type="checkbox"/>	Unit shall have a minimum wheel base of 7'1"
Engine		
Y <input checked="" type="checkbox"/>	N <input type="checkbox"/>	Engine must comply w/ US EPA Tier 4 Final/EU Stage IV off road emission
Y <input checked="" type="checkbox"/>	N <input type="checkbox"/>	Unit shall utilize Selective Catalytic Reduction (SCR)
Y <input checked="" type="checkbox"/>	N <input type="checkbox"/>	Engine shall have an economy mode to max fuel efficiency, while maintaining backhoe performance
Y <input checked="" type="checkbox"/>	N <input type="checkbox"/>	Unit shall have a hinged cooler system for easy cleanout
Y <input checked="" type="checkbox"/>	N <input type="checkbox"/>	The engine shall have a standard glow plug starting aid to -20 degrees F without using ether and electric engine coolant heater
Y <input checked="" type="checkbox"/>	N <input type="checkbox"/>	Engine shall be protected to -34 degrees w/extended life antifreeze
Y <input checked="" type="checkbox"/>	N <input type="checkbox"/>	Engine cooling fan shall have a heavy duty guard that prevents contact
Y <input checked="" type="checkbox"/>	N <input type="checkbox"/>	Engine shall have charging capacity of 140 amperes minimum
Y <input checked="" type="checkbox"/>	N <input type="checkbox"/>	Engine shall be equipped with one maintenance free battery with the option for two such batteries equaling 1800 CCA
Y <input checked="" type="checkbox"/>	N <input type="checkbox"/>	Engine shall be equipped with 12-volt starting and charging system
Y <input checked="" type="checkbox"/>	N <input type="checkbox"/>	Engine shall be equipped with a standard battery disconnect switch with easy access
Y <input checked="" type="checkbox"/>	N <input type="checkbox"/>	Engine shall be Turbocharged and at least 100HP and built by manufacturer
Y <input checked="" type="checkbox"/>	N <input type="checkbox"/>	Machine shall have a automatic engine speed control with auto idle and auto shutdown when not in use
Y <input checked="" type="checkbox"/>	N <input type="checkbox"/>	Engine net peak power shall be at least 105 HP (ISO 9249)
Y <input checked="" type="checkbox"/>	N <input type="checkbox"/>	The tilt hood shall have two service positions for easy operation
Powertrain/Transmission		
Y <input checked="" type="checkbox"/>	N <input type="checkbox"/>	The transmission shall be hydraulically actuated powershift and a torque converter with transport speed of 24 mph or greater. The machine shall have clutch-free, synchronized, five forward and three reverse speeds
Y <input checked="" type="checkbox"/>	N <input type="checkbox"/>	The machine shall have a sealed axle, with no breather, and will be mechanical front wheel drive with traction control limited-slip differential with electric on/off control
Y <input checked="" type="checkbox"/>	N <input type="checkbox"/>	The manual 4WD shall have momentary 4WD standard or full time 4WD with the ability to lock out selected gears if required
Y <input checked="" type="checkbox"/>	N <input type="checkbox"/>	The clutch engaged MFWD can be engaged on the fly during operation
Y <input checked="" type="checkbox"/>	N <input type="checkbox"/>	The machine shall have hydrostatic power steering with emergency manual mode
Y <input checked="" type="checkbox"/>	N <input type="checkbox"/>	The machine shall have a dial throttle that will allow the operator to road

Y <input checked="" type="checkbox"/>	N <input type="checkbox"/>	the machine on cruise control and upon braking the RPM's return to idle The parking brake shall be independent of the service brakes, spring applied, hydraulically released, wet multi disk, and sealed
Hydraulic System		
Y <input checked="" type="checkbox"/>	N <input type="checkbox"/>	Machine shall be equipped with auto idle to lower rpm when hydraulics are not active to conserve fuel and reduce noise levels
Y <input checked="" type="checkbox"/>	N <input type="checkbox"/>	Hydraulic pump shall be at least 42 gpm @2200 rpm at 3625 psi closed center hydraulic pressure compensated load sensing, axial piston driven
Electrical		
Y <input checked="" type="checkbox"/>	N <input type="checkbox"/>	Cab shall be pre-wired for rotating beacon and radio ready
Y <input checked="" type="checkbox"/>	N <input type="checkbox"/>	Unit shall be equipped with optional LED lights
Operator Station		
Y <input checked="" type="checkbox"/>	N <input type="checkbox"/>	Access to the cab shall be from the right and left with protected, wide, rigid, slip resistant steps and ergonomically located hand holds
Y <input checked="" type="checkbox"/>	N <input type="checkbox"/>	3" retractable seatbelt shall be provided
Y <input checked="" type="checkbox"/>	N <input type="checkbox"/>	Machine manufacturer shall provide a factory installed onboard security system for total machine integration. System will have the ability to accommodate no less than ten operator codes
Y <input checked="" type="checkbox"/>	N <input type="checkbox"/>	The keyless start shall have an electric fuel shut-off and ability to have auto shutdown in monitor
Y <input checked="" type="checkbox"/>	N <input type="checkbox"/>	The tilt hood shall have two service positions for easy operation
Y <input type="checkbox"/>	N <input type="checkbox"/>	
Backhoe		
Y <input checked="" type="checkbox"/>	N <input type="checkbox"/>	Machine shall be able to grab current City of Washington attachments
Y <input checked="" type="checkbox"/>	N <input type="checkbox"/>	Minimum digging depth shall be 14' and 18' extended
Y <input checked="" type="checkbox"/>	N <input type="checkbox"/>	Machine shall lift 4100 pounds 5' off the ground when fully extended
Y <input type="checkbox"/>	N <input type="checkbox"/>	Machine will be equipped with GP bucket as standard equipment
Loader		
Y <input checked="" type="checkbox"/>	N <input type="checkbox"/>	The loader shall have a non-removeable, hinged loader boom service hook
Y <input checked="" type="checkbox"/>	N <input type="checkbox"/>	Loader coupler shall be able to grab current City of Washington attachments
Y <input checked="" type="checkbox"/>	N <input type="checkbox"/>	Loader bucket shall not roll back, and must not move under normal dig operations
Y <input checked="" type="checkbox"/>	N <input type="checkbox"/>	Loader shall have positive down pressure to lift tractor front end off the level ground
Y <input checked="" type="checkbox"/>	N <input type="checkbox"/>	Loader shall be equipped with a lift cylinder brace to mechanically hold the loader arms in the raised position
Y <input checked="" type="checkbox"/>	N <input type="checkbox"/>	Loader bucket shall be suitable for general purpose with heavy duty characteristics including high strength wear material in the leading edges of the lower side corners, equaling the material properties of the base cutting edge
Y <input checked="" type="checkbox"/>	N <input type="checkbox"/>	Loader bucket shall be self leveling for truck loading spoil
Y <input checked="" type="checkbox"/>	N <input type="checkbox"/>	Machine will be equipped with GP bucket as standard equipment
Brakes		
Y <input checked="" type="checkbox"/>	N <input type="checkbox"/>	Parking Brake shall activate automatically when engine shuts off regardless of whether the operator engages it or not



Martin Equipment
 400 W. Martin Dr
 Goodfield, IL 61742
 (309) 965-2502

Quote Issued To : CITY OF WASHINGTON 301 W WALNUT ST ATTN: JEANETTE GLUECK WASHINGTON , IL , 61571 309-444-3196	QUOTATION Quote # : 1012474 Issue Date : 6/29/2021 Expire Date : 7/7/2021 Est Delivery : 11/2/2021 FOB :
Quote Issued By : Hofer, Ken - 309-635-8961	

ITEMS LISTED FOR SALE

Item #	Year	Make	Model	Serial #	Hours	Sale Price
	2021	NPK	PH3		0	13,500.00

NPK PH3 HYD HAMMER
 DEERE 310SL BRACKET
 CHISEL POINT HAMMER ASSY.

Total: 13,500.00

TRADE ALLOWANCES

TIV #	Year	Make	Model	Serial #	Trade Allowance
64243	2000	NPK	H 3XA	64243	2500.00
Total Trade Allowances :					2,500.00

QUOTE SUMMARY

Total Sale Price :	13,500.00
Less Trade Allowance :	2,500.00
Additional Taxable Items :	0.00
Subtotal:	11,000.00
Sales Tax :	0.00
Additional Nontaxable Items :	0.00
Total :	11,000.00

Acceptance Signature: _____ **Date:** _____

All quotations contingent upon strikes, delays, and conditions beyond our control. Prices subject to change with or without notice.
 All prices are subject to expiration of any current sales programs and incentives.

PROPOSAL

The undersigned proposes, in accordance with the terms and conditions of the Contract Documents, of which this Proposal is a part, to furnish 1 Backhoe Loader with hydraulic hammer to the City of Washington

Quantity: 1

Description: **Backhoe Loader**

Price of Fully Assembled and Demonstrated full Working Condition \$ 117,750

Trade Allowance 2012 Cat 420F IT VIN# JWJ00656 \$ 45,000

Description: **Hydraulic Hammer**

Price of Fully Assembled and Demonstrated full Working Condition \$ 11,000

Trade Allowance NPK H-3XA SN37595 \$ 1,750

Total - Backhoe and Hydraulic Hammer After Trades \$ 82,000

Cash Billing Terms: Net 30 Days

Person to Contact Regarding This Proposal: Ken Smith

Phone Number: 309-261-4497

The undersigned also acknowledges having received a full set of the Contract Documents and Addenda Nos. 1 (None unless indicated).

Signature: Ken Smith

Name of Business: Birkey's

Business Address: 1105 Interstate Drive
Bloomington, IL 61705

Business Phone: 309-827-0520

SPECIAL PROVISIONS

1. Basis of Award

Unit price shown on the proposal shall include **all** delivery charges for the proposed equipment. **The City reserves the right to waive technicalities or to reject any and all bids when, in the opinion of the City Council, the best interests of the City of Washington will be served by such action.**

6. Ordering and Delivery

Order shall be placed by telephone direct to the selected vendor by personnel of the City of Washington, Department of Public Works. A purchase order number will be furnished to the vendor and a delivery date will be agreed to at that time.

7. Billing

An invoice for the accepted equipment will be presented at the time of delivery, a check will be presented for payment. The invoice must clearly show the description, unit price, and the City's Purchase Order number.

8. Price Escalation

The price quoted herein shall remain firm for the equipment ordered.

9. Certification of Compliance

In accordance with Article 33E of the Criminal Code of 1961, as amended, the bidder is required to fill out and submit with his proposal the Certification of Compliance included with this bid document.

10. Exceptions to Specifications

Any exceptions to the specifications and these provisions shall be clearly explained on a separate page by the bidder on his firm's letterhead, to be attached to and submitted with these documents prior to or at the time of bid opening. Should a bidder submit a proposal without a separate statement of exception, it shall be assumed the proposal is in full compliance with these specifications.

11. Corrections

All prices and notations must be typed in or written in ink.

CERTIFICATION OF COMPLIANCE

The undersigned, being first duly sworn on oath, deposes and states that he has the authority to make this certification on behalf of the bidder.

Birkey's _____ :
(Name of Company)

- (a) That in connection with this procurement,
 - (1) the prices in this bid have been arrived at independently, without consultation, communication, or agreement, for the purpose or restricting competition, as to any matter relating to such prices with any other bidder or with any competitor;
 - (2) the prices which have been quoted in this bid have not been knowingly disclosed by the bidder and will not be knowingly disclosed by the bidder prior to opening directly or indirectly to any other bidder or to any competitor; and
 - (3) no attempt has been made or will be made by the bidder to induce any other person or firm to submit or not to submit a bid for the purpose of restricting competition.

- (b) The undersigned further states
 - (1) he is the person in the bidder's organization responsible within that organization for the decision as to the prices being bid herein and that he has not participated, and will not participate, in any action contrary to (a)(1) through (a)(3) above; or
 - (2)(a) he is not the person in the bidder's organization responsible within that organization for the decision as to the prices being bid herein but that he has been authorized to act as agent for the persons responsible for such decision in certifying that such persons have not participated, and will not participate, in any action contrary to (a)(1) through (a)(3) above, and as their agent does hereby so certify; and (b) that he has not participated, and will not participate in, any action contrary to (a)(1) through (a)(3) above.

- (c) The undersigned certifies that the bidder is not barred from bidding on this contract as a result of a conviction for the violation of State laws prohibiting bid-rigging or bid-rotating.

- (d) It is expressly understood that the foregoing statements, representations, and promises are made as a condition to the right of the bidder to receive payment under any award made hereunder.

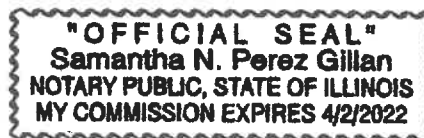
Authorized Signature: Ken Smith

Title: Construction Equipment Sales Representative

SUBSCRIBED AND SWORN TO before me this

30th day of June, 2021.

Samantha N. Perez Gillan
Notary Public



BACKHOE LOADER BID SPECIFICATION		
Basic Specifications		
Y <input checked="" type="checkbox"/>	N <input type="checkbox"/>	Is Backhoe built in the United States?
Y <input type="checkbox"/>	N <input checked="" type="checkbox"/>	Maximum operating weight must be less than 20,000 pounds
Y <input checked="" type="checkbox"/>	N <input type="checkbox"/>	Machine shall have full 1 year comprehensive manufacturers warranty
Y <input checked="" type="checkbox"/>	N <input type="checkbox"/>	Machine shall be equipped with an economy control function
Y <input checked="" type="checkbox"/>	N <input type="checkbox"/>	Maximum overall transport height shall be 11' -12' with standard tires and extendable stick
Y <input checked="" type="checkbox"/>	N <input type="checkbox"/>	Unit shall have a max. height to the top of canopy of 9' 3" w/std. tires
Y <input checked="" type="checkbox"/>	N <input type="checkbox"/>	Maximum overall transport length shall be 23'6" with standard tires, extendable stick, and loader coupler
Y <input type="checkbox"/>	N <input checked="" type="checkbox"/>	Units maximum width shall be no more than 7'7" with GP bucket
Y <input checked="" type="checkbox"/>	N <input type="checkbox"/>	Unit shall have a minimum wheel base of 7'1"
Engine		
Y <input checked="" type="checkbox"/>	N <input type="checkbox"/>	Engine must comply w/ US EPA Tier 4 Final/EU Stage IV off road emission
Y <input checked="" type="checkbox"/>	N <input type="checkbox"/>	Unit shall utilize Selective Catalytic Reduction (SCR)
Y <input checked="" type="checkbox"/>	N <input type="checkbox"/>	Engine shall have an economy mode to max fuel efficiency, while maintaining backhoe performance
Y <input type="checkbox"/>	N <input checked="" type="checkbox"/>	Unit shall have a hinged cooler system for easy cleanout
Y <input checked="" type="checkbox"/>	N <input type="checkbox"/>	The engine shall have a standard glow plug starting aid to -20 degrees F without using ether and electric engine coolant heater
Y <input checked="" type="checkbox"/>	N <input type="checkbox"/>	Engine shall be protected to -34 degrees w/extended life antifreeze
Y <input checked="" type="checkbox"/>	N <input type="checkbox"/>	Engine cooling fan shall have a heavy duty guard that prevents contact
Y <input checked="" type="checkbox"/>	N <input type="checkbox"/>	Engine shall have charging capacity of 140 amperes minimum
Y <input type="checkbox"/>	N <input checked="" type="checkbox"/>	Engine shall be equipped with one maintenance free battery with the option for two such batteries equaling 1800 CCA
Y <input checked="" type="checkbox"/>	N <input type="checkbox"/>	Engine shall be equipped with 12-volt starting and charging system
Y <input checked="" type="checkbox"/>	N <input type="checkbox"/>	Engine shall be equipped with a standard battery disconnect switch with easy access
Y <input checked="" type="checkbox"/>	N <input type="checkbox"/>	Engine shall be Turbocharged and at least 100HP and built by manufacturer
Y <input checked="" type="checkbox"/>	N <input type="checkbox"/>	Machine shall have a automatic engine speed control with auto idle and auto shutdown when not in use
Y <input checked="" type="checkbox"/>	N <input type="checkbox"/>	Engine net peak power shall be at least 105 HP (ISO 9249)
Y <input type="checkbox"/>	N <input checked="" type="checkbox"/>	The tilt hood shall have two service positions for easy operation
Powertrain/Transmission		
Y <input type="checkbox"/>	N <input checked="" type="checkbox"/>	The transmission shall be hydraulically actuated powershift and a torque converter with transport speed of 24 mph or greater. The machine shall have clutch-free, synchronized, five forward and three reverse speeds
Y <input type="checkbox"/>	N <input checked="" type="checkbox"/>	The machine shall have a sealed axle, with no breather, and will be mechanical front wheel drive with traction control limited-slip differential with electric on/off control
Y <input type="checkbox"/>	N <input checked="" type="checkbox"/>	The manual 4WD shall have momentary 4WD standard or full time 4WD with the ability to lock out selected gears if required
Y <input checked="" type="checkbox"/>	N <input type="checkbox"/>	The clutch engaged MFWD can be engaged on the fly during operation
Y <input checked="" type="checkbox"/>	N <input type="checkbox"/>	The machine shall have hydrostatic power steering with emergency manual mode
Y <input checked="" type="checkbox"/>	N <input type="checkbox"/>	The machine shall have a dial throttle that will allow the operator to road

Y <input checked="" type="checkbox"/>	N <input type="checkbox"/>	the machine on cruise control and upon braking the RPM's return to idle
		The parking brake shall be independent of the service brakes, spring applied, hydraulically released, wet multi disk, and sealed
Hydraulic System		
Y <input checked="" type="checkbox"/>	N <input type="checkbox"/>	Machine shall be equipped with auto idle to lower rpm when hydraulics are not active to conserve fuel and reduce noise levels
Y <input checked="" type="checkbox"/>	N <input type="checkbox"/>	Hydraulic pump shall be at least 42 gpm @2200 rpm at 3625 psi closed center hydraulic pressure compensated load sensing, axial piston driven
Electrical		
Y <input checked="" type="checkbox"/>	N <input type="checkbox"/>	Cab shall be pre-wired for rotating beacon and radio ready
Y <input checked="" type="checkbox"/>	N <input type="checkbox"/>	Unit shall be equipped with optional LED lights
Operator Station		
Y <input checked="" type="checkbox"/>	N <input type="checkbox"/>	Access to the cab shall be from the right and left with protected, wide, rigid, slip resistant steps and ergonomically located hand holds
Y <input checked="" type="checkbox"/>	N <input type="checkbox"/>	3" retractable seatbelt shall be provided
Y <input type="checkbox"/>	N <input checked="" type="checkbox"/>	Machine manufacturer shall provide a factory installed onboard security system for total machine integration. System will have the ability to accommodate no less than ten operator codes
Y <input type="checkbox"/>	N <input checked="" type="checkbox"/>	The keyless start shall have an electric fuel shut-off and ability to have auto shutdown in monitor
Y <input type="checkbox"/>	N <input checked="" type="checkbox"/>	The tilt hood shall have two service positions for easy operation
Y <input type="checkbox"/>	N <input type="checkbox"/>	
Backhoe		
Y <input checked="" type="checkbox"/>	N <input type="checkbox"/>	Machine shall be able to grab current City of Washington attachments
Y <input checked="" type="checkbox"/>	N <input type="checkbox"/>	Minimum digging depth shall be 14' and 18' extended
Y <input type="checkbox"/>	N <input checked="" type="checkbox"/>	Machine shall lift 4100 pounds 5' off the ground when fully extended
Y <input checked="" type="checkbox"/>	N <input type="checkbox"/>	Machine will be equipped with GP bucket as standard equipment
Loader		
Y <input checked="" type="checkbox"/>	N <input type="checkbox"/>	The loader shall have a non-removeable, hinged loader boom service hook
Y <input type="checkbox"/>	N <input type="checkbox"/>	Loader coupler shall be able to grab current City of Washington attachments
Y <input checked="" type="checkbox"/>	N <input type="checkbox"/>	Loader bucket shall not roll back, and must not move under normal dig operations
Y <input checked="" type="checkbox"/>	N <input type="checkbox"/>	Loader shall have positive down pressure to lift tractor front end off the level ground
Y <input checked="" type="checkbox"/>	N <input type="checkbox"/>	Loader shall be equipped with a lift cylinder brace to mechanically hold the loader arms in the raised position
Y <input checked="" type="checkbox"/>	N <input type="checkbox"/>	Loader bucket shall be suitable for general purpose with heavy duty characteristics including high strength wear material in the leading edges of the lower side corners, equaling the material properties of the base cutting edge
Y <input checked="" type="checkbox"/>	N <input type="checkbox"/>	Loader bucket shall be self leveling for truck loading spoil
Y <input checked="" type="checkbox"/>	N <input type="checkbox"/>	Machine will be equipped with GP bucket as standard equipment
Brakes		
Y <input checked="" type="checkbox"/>	N <input type="checkbox"/>	Parking Brake shall activate automatically when engine shuts off regardless of whether the operator engages it or not



, CITY OF WASHINGTON

115 W JEFFERSON
WASHINGTON, IL 61571

Cell Phone:
Home Phone: 3094443196

By: Ken Smith
Quote Date: 6/21/2021
Valid Until: 6/30/2021

Contact Mobile: (309) 261-4497

Quoted Unit

Year	Make	Model	Serial #	Description	Tag
2021	Case	590SN	TBD	Backhoe	Q70153876

Total Sell Price: **\$128,750.00**

Trades

Description	Make	Model	Year	SerialNo	Trade Allowance	Payoff
Miscellaneous	Cat	420F IT	2012	JWJ00656		\$45,000
Miscellaneous	NPK	H-3XA		37595		\$1,750

Net Trade Allowance	\$46,750.00
Net Due From Customer	\$82,000.00
Tax Rate (Where Applicable)	0.000
Calculated Tax Amount	0.00
Sales Tax	\$0.00
Total	\$82,000.00

Attachments

Make	Model	Desc
------	-------	------

Notes

Also includes Okada ORV1100 Breaker (specs attached). Case 590SN options include: 1 YR/Unlimited Hour Full Coverage Base Warranty, 2 YR/2000 Hour Extended Limited Engine Warranty, 2 Door Deluxe Cab/Heat/A/C 72 DBA Sound Level & Heated Cloth Air Seat, Bluetooth Weatherband FM Radio, Powershift H-Type Transmission, Ride Control, Comfort Steer, Front Hydraulic Coupler, 3 Spool Hydraulics, 92" Cat Style GP Loader Bucket, 24" Backhoe Bucket, Toolbox, Extendahoe with Universal Coupler, Uni/Bi-Direct Auxillary Hydraulics, Pilot Controls w/ PowerLift & PowerBoost, Flip Over Stabilizer Pads, Dual 850 CCA Batteries w/ Cold Start Package, LED Light Package, Heavy Front Counterweight, 3YR Telematics Subscription



Below is a list of exclusions:

Basic Specifications Section:

Line #2: Operating weight is approximately 21,325 lbs.

Line #8: Machine width is 7'8"

Engine Section:

Line #4: Coolers are cleaned out and accessed via removing front screen and unbolting the coolers if they cannot be cleaned out with an air wand.

Line #9: Dual 850 CCA Batteries totaling 1700 CCA

Line #15: Hood can be fully opened regardless of loader arm position providing full access

Powertrain/Transmission:

Line #1: Powershift Transmission has 4 forward gears and 4 reverse gears with a transport speed of 25 mph

Line #2: Sealed axle has a breather port to allow for expansion of fluid level as axle temperature fluctuates

Line #3: 4 Wheel Drive is engaged via switch that disengages in 3rd gear or higher. 4-wheel drive automatically engages during braking scenarios to decrease stopping distance.

Operator Station:

Line #3: Machine is started/stopped via keyed switch

Line #4: Machine can be enabled to auto shutdown through various conditions within parameters set by the operator in the display screen

Line #5: Hood can be fully opened regardless of loader arm position providing full access

Backhoe:

Line #3: At 8' the backhoe can lift 4158 lbs. when retracted and 3247 lbs. when extended with Power Lift enabled.

Any questions please contact Ken Smith @ 309-261-4497



Birkey's Farm Store, Inc.
1105 Interstate Dr • Bloomington, IL 61705
PH: (309) 827-0520 • www.birkeys.com





ENGINE

Model	FPT F5BFL413A
Emissions Certification	Tier 4 Final
Type	Diesel 4-stroke, Turbocharged
Cylinders	4
Bore/Stroke	3.90 x 4.33 in (99 x 110 mm)
Displacement	207 in ³ (3.4 L)
Fuel injection	Direct, high pressure common rail – HPCR
Fuel	Diesel
Engine speeds*	RPM
Rated speed – full load	2200
Low idle	900 – 1000
High idle – no load	2320 – 2430
Horsepower @ 2200 RPM:	
Gross	110 hp (82 kW)
Net	108 hp (81 kW)
Maximum torque @ 1400 RPM:	
Gross	339 lb-ft (460 N-m)
Net	338 lb-ft (459 N-m)
Torque rise at rated speed	29% +/- 5%
Radiator:	
Core type	Square wave
Core size area	486 in ² (3 145 cm ²)
Rows of tubes	4
Viscous Fan:	
Style	9 blade viscous suction
Diameter	19.68 in (500 mm)
Ratio	1.4:1
Pump operating angle ratings:	
Side to side	Rated 35°
Fore and aft	Rated 35°
Oil filtration	Replaceable, full flow cartridge

NOTE: *Engine speeds w/ standard transmission.
Meets federal emission regulations.

DRIVETRAIN

Transmission – standard:
PowerDrive H-Type, 4F-4R hydraulic clutch
shifting w/ auto shift mode and direct drive

Transmission – standard:
PowerDrive H-Type, 4F-4R hydraulic clutch
shifting w/ auto shift mode

Gear ratios	Forward/Reverse
1st	5.533/4.549
2nd	3.359/2.762
3rd	1.533/1.260
4th	0.811/0.667

Travel Speeds – H-Type PowerDrive DD Transmission		
	Forward mph (kph)	Reverse mph (kph)
1st	4.0 (6.5)	4.8 (7.7)
2nd	6.6 (10.6)	7.8 (12.6)
3rd w/ DD Feature Off	13.7 (22.0)	16.4 (26.4)
3rd w/ DD	14.4 (23.1)	16.4 (26.4)
4th w/ DD Feature Off	23.0 (37.0)	27.6 (44.4)
4th w/ DD	25.0 (40.2)	27.6 (44.4)

Torque converter ratio 2.2

Differential lock:
On-the-go push-button activation

Front 4WD/Rear axle:	
Differential ratio	2.1/2.5
Planetary hub ratio	6.0/6.4
Total reduction ratio	12.8/16.0

Service brakes:
Individually applied, power assisted,
hydraulically actuated, maintenance-free,
self-adjusting, outboard mounted, wet disc,
2 per side.
Total disc area 384 in² (0.25 m²)

Parking brakes Trans Mounted
spring-applied hydraulic release – SAHR

NOTE: Travel speeds at 2306 engine
RPM specified: w/ 21.0 L x 24.0 tires.

ELECTRICAL

Voltage	12 Volts, negative ground
Alternator	160 amp
Dual batteries:	850 cold-cranking amps each
Power plugs – 2	30 amps total

OPERATOR ENVIRONMENT

ROPS/FOPS certified protective canopy;
Anti-vandalism cover for dash – w/ canopy
only; Rear fenders extensions; Coat hook w/
garment strap; Interior rearview convex mirror;
Mechanical suspension seat – 180° swivel – Vinyl;
3 in (76 mm) retractable seat belt; Cup holder/
storage tray mounted on left-hand fender;
Right-hand storage compartment w/ lid,
tilt-steering wheel on cab models.

Gauges:
Engine water temperature; Converter oil
temperature; Fuel level; Tachometer/
hourmeter; DEF level.

Warning lights:
Air cleaner restriction; Alternator; A/C high
pressure; Cold start; Engine oil pressure;
Hydraulic oil filter bypass; Parking brake
engagement; Low fuel; Water in fuel; Low DEF.

Audible alarms w/ diagnostics:
Coolant temperature; Engine oil pressure;
Parking brake engagement; Converter oil
temperature; Shuttle engagement/seat
position; Backup alarm; Low DEF.

Horn Dual switched front and rear

OPERATING WEIGHT

Configuration – SAE Transport:

No Operator, 4:1 Loader Bucket, E-hoe, Cab
w/ Heat and AC, Ride Control, Fully fueled,
24 in HD BH Bucket 4 WD, Boom Guard,
1,100 lb front counterweight, Quick Couple BH,
BH aux., Pilot BH Controls, 14-17.5 @ 50 psi
front tires, 21 L – 24 @ 28 psi Rear Tires.
21,325 lb (9 673 kg)

Add-on weights:

Cab-over canopy	309 lb (140 kg)
Fabricated stabilizer pads	141 lb (64 kg)

HYDRAULICS

Pump:

Bosch Rexroth Series 31 Variable Displacement Axial Piston Pump, dual mode torque regulation, mode selected by solenoid

Main relief pressure:

Standard	3,450 +/- 50 psi (238 +/- 3.5 bar)
Power Lift	3,625 +/- 50 psi (250 +/- 3.5 bar)

Filtration:

7-micron, full flow replaceable cartridge on return line, condition indicator light for filter.

Oil cooler

Heavy-duty

Loader flow @ rated engine RPM:

43 gpm @ 2,340 psi
(162.6 L/min @ 161 bar)

Loader control valve w/ pilot or manual backhoe controls:

Two or three-spool closed center sectional control valve. Single lever manual control for lift and tilt functions. The three-spool valve uses a proportional Electro-Hydraulic control for the auxiliary function. The lift lever has a positive hold "Float" position and a "return-to-dig" feature.

Loader auxiliary hydraulics w/ proportional thumb switch w/ detent on loader control handle:

0 – 43 gpm (0 – 162.6 L/min)

Backhoe flow @ rated engine RPM:

43 gpm @ 3,100 psi
(162.6 L/min @ 214 bar)

Manual backhoe control valve:

Seven-spool monoblock open center control valve w/ eighth spool bolt-on sections. Features "Pro-Control" which includes custom designed spools for each individual function along w/ "swing cushioning" valve for zero-wag swing control. Basic control valve has an open center parallel circuit for all functions.

Pilot backhoe control valve:

Seven or eight spool sectional closed center control valve. Features "Pro-Control" which includes custom designed spools for each individual function along w/ "swing cushioning" valve for zero-wag swing control. Basic control valve is closed center, w/ circuits in parallel w/ a post-compensated, flow sharing feature for simultaneous operation of all circuits.

1-way flow auxiliary hydraulics:

1-way flow hydraulic valve is equipped w/ an adjustable LS relief valve to control attachment pressure and a 6 position flow control selector for 6 detented, distinct flow settings.

Actuation:

Manual backhoe controls – cab floor pedal
Pilot controls – left-hand joystick

2-way flow auxiliary hydraulics:

Actuation:

Activate the 2-way flow switch located on the rear console
Manual shift – 2-way flow linkage on far right of backhoe tower
Pilot controls – left-hand joystick.

SERVICE CAPACITIES

Fuel tank	35.0 gal (132.0 L)
DEF tank	3.6 gal (13.5 L)
Hydraulic system:	
Total	138 qt (130.7 L)
Extendahoe®	144 qt (135.7 L)
Reservoir w/ filter	55 qt (52.4 L)
Reservoir w/o filter	53 qt (50.5 L)
Transmission – total system:	
4WD PowerDrive H-Type	19 qt (18.0 L)

Front axle:

4WD Differential	9.1 qt (8.6 L)
4WD Planetaries – each	1.1 qt (1.0 L)

Rear axle:

Differential and planetaries	14.4 qt (13.6 L)
Engine oil w/ filter	8.5 qt (8.0 L)

Cooling system:

w/ heater	19.0 qt (18.0 L)
w/o heater	18.3 qt (17.3 L)

Window washer reservoir

3.0 qt (2.8 L)

OTHER SPECIFICATIONS

Front tires:

4WD 14.0 L x 17.5, 10-ply SGL SS

Rear tires:

4WD 21.0 L x 24.0, 10-ply R4

Turning radius*: Curb to Curb:

4WD – engaged:

Brakes on	12 ft 6 in (3.81 m)
Brakes off	14 ft 4 in (4.36 m)

4WD – disengaged:

Brakes on	11 ft 8 in (3.55 m)
Brakes off	12 ft 8 in (3.86 m)

NOTE: *Turning radius dimensions curb to curb w/ 21.0 L x 24.0 rear tires.

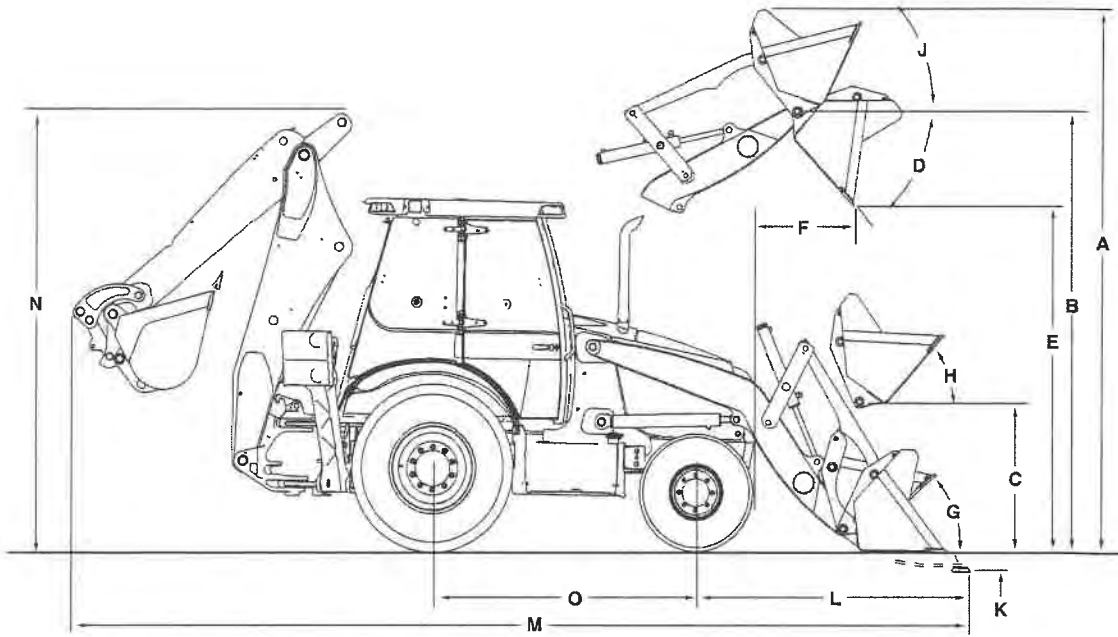
LOADER BUCKET SIZES

Type	Width	Weight	Struck	Heaped Capacity
Long Lip Bucket with lift points and bolt-on cutting edge	93 in (2.36 m)	1,188 lb (539 kg)	1.1 yd ³ (0.84 m ³)	1.3 yd ³ (0.99 m ³)
	96 in (2.44 m)	1,415 lb (642 kg)	1.27 yd ³ (0.97 m ³)	1.5 yd ³ (1.15 m ³)
4 IN 1® Bucket	93 in (2.36 m)	1,685 lb* (764 kg)	1.0 yd ³ (0.76 m ³)	1.20 yd ³ (0.92 m ³)

NOTE: *Weight of 4 IN 1® bucket includes edges, cylinders and tube lines.

BACKHOE BUCKET SIZES

Type	Width	Weight	Heaped Capacity
Universal Buckets	12 in (305 mm)	295 lb (134 kg)	3.40 ft ³ (0.10 m ³)
	18 in (457 mm)	356 lb (162 kg)	5.30 ft ³ (0.15 m ³)
	24 in (610 mm)	427 lb (194 kg)	7.70 ft ³ (0.22 m ³)
	30 in (762 mm)	489 lb (222 kg)	10.20 ft ³ (0.29 m ³)
	36 in (914 mm)	552 lb (251 kg)	12.70 ft ³ (0.36 m ³)
High Capacity Buckets	24 in (610 mm)	447 lb (203 kg)	8.50 ft ³ (0.24 m ³)
	30 in (762 mm)	502 lb (228 kg)	10.60 ft ³ (0.30 m ³)



Line drawings are for illustrative purpose only and may not be exact representation of unit.

LOADER DIMENSIONS

	Long Lip Bucket	4 IN 1 [®] Bucket
A. Overall operating height – fully raised	13 ft 11 in (4.24 m)	13 ft 10 in (4.22 m)
Height to:		
B. Bucket hinge pin fully raised	11 ft 6 in (3.50 m)	11 ft 6 in (3.50 m)
C. Bucket hinge pin at SAE carry	12.8 in (325 mm)	12.8 in (325 mm)
D. Dump angle at full height	45°	45°
E. Dump clearance at full height, 45° dump:		
Bucket	8 ft 11 in (2.72 m)	9 ft 1 in (2.77 m)
Clam open	—	9 ft 10 in (3.01 m)
F. Dump reach at full height, 45° dump – from bumper:		
Bucket	29.2 in (741 mm)	27.8 in (707 mm)
Clam open	—	13.8 in (351 mm)
Bucket rollback:		
G. @ Groundline	40°	41°
H. @ SAE carry	46°	46°
J. @ Full height	Adjustable	Adjustable
K. Digging depth below grade:		
Bucket flat	6.2 in (157 mm)	5.9 in (150 mm)
Clam open – dozing	—	3.5 in (89 mm)
L. Reach from front axle centerline – bucket on ground	6 ft 7 in (2.05 m)	6 ft 5 in (1.99 m)
Lift capacity to full height – calculated values	8,202 lb (3 721 kg)	7,807 lb (3 541 kg)
Breakout force – calculated values:		
Lift cylinders	11,463 lb (5 099 daN)	11,225 lb (4 993 daN)
Dump cylinders	12,776 lb (5 683 daN)	13,717 lb (6 102 daN)
Bucket cutting edge width	92.7 in (2.36 m)	93.0 in (2.36 m)
Maximum grading angle	106°	106°
Maximum clam opening	—	38.3 in (972 mm)
Moldboard height	—	36.8 in (934 mm)
Raising time to full height	3.7 sec	3.7 sec
Bucket dumping time	2.0 sec	2.0 sec
Lowering time:		
Power down	2.5 sec	2.5 sec
Return-to-dig	3.8 sec	3.8 sec
Clam:		
Open time	—	1.3 sec
Close time	—	1.1 sec

NOTE: Loader dimensions taken with 4WD.

DIMENSIONS

	Extendahoe®	
	Retracted	Extended
M. Overall transport length:		
Long Lip bucket	23 ft 10 in (7.25 m)	—
4 IN 1 [®] bucket	23 ft 7 in (7.20 m)	—
Overall transport width	7 ft 9 in (2.36 m)	—
Height:		
To top of canopy	8 ft 9 in (2.68 m)	8 ft 9 in (2.68 m)
To top of cab	8 ft 11 in (2.71 m)	8 ft 11 in (2.71 m)
To top of exhaust stack	8 ft 9 in (2.67 m)	8 ft 9 in (2.67 m)
N. Transport	11 ft 8 in (3.54 m)	—
Ground clearance at backhoe frame	14.2 in (360 mm)	14.2 in (360 mm)
Angle of departure	18.7°	18.7°
Front wheel tread:		
14.0 L x 17.5 Industrial Rib	74.3 in (1.89 m)	—
14.0 L x 17.5	74.3 in (1.89 m)	—
Rear wheel tread:		
21.0 L x 24.0	69.6 in (1.77 m)	—
O. Wheelbase:		
2WD	84.0 in (2.13 m)	—
4WD	84.5 in (2.15 m)	—

NOTE: Dimensions taken with 21.0 L x 24.0 rear tires and 14.5/75.0 L x 16.1 front tires except that data marked 4WD is taken with 14.0 L x 17.5 front tires.

CYLINDERS

	Bore Diameter	Rod Diameter	Stroke	Closed Length
Loader:				
Lift – 2	3.50 in (88.9 mm)	1.875 in (47.6 mm)	29.13 in (740.0 mm)	41.54 in (1 055.0 mm)
Dump – 2	3.25 in (82.6 mm)	1.75 in (44.5 mm)	20.33 in (516.5 mm)	30.78 in (781.8 mm)
4 IN 1 [®] clam – 2	3.00 in (76.2 mm)	1.75 in (44.5 mm)	9.08 in (230.6 mm)	19.62 in (498.3 mm)
Backhoe:				
Boom	5.50 in (139.7 mm)	2.75 in (69.9 mm)	40.57 in (1 030.5 mm)	57.05 in (1 449.0 mm)
Dipperstick	5.25 in (133.4 mm)	2.75 in (69.9 mm)	23.53 in (597.7 mm)	38.49 in (977.7 mm)
Bucket	3.50 in (88.9 mm)	2.50 in (63.5 mm)	38.95 in (989.4 mm)	51.78 in (1 315.2 mm)
Extendahoe®	3.00 in (76.2 mm)	1.75 in (44.5 mm)	48.03 in (1 220.0 mm)	64.02 in (1 626.0 mm)
Swing – 2	4.00 in (101.6 mm)	2.00 in (50.8 mm)	11.50 in (292.0 mm)	24.44 in (620.8 mm)
Stabilizer – 2	5.25 in (133.4 mm)	2.50 in (63.5 mm)	20.40 in (518.1 mm)	33.57 in (852.7 mm)

AXLE RATINGS

	Rear	Front – 4WD
Maximum static	70,848 lb (32 136 kg)	67,883 lb (30 791 kg)
Dynamic operating	49,494 lb (22 450 kg)	47,426 lb (21 512 kg)
Static operating	19,798 lb (8 980 kg)	18,969 lb (8 604 kg)
Oscillation – front axle	—	22° total – 11° each side

BACKHOE LIFT CAPACITIES

	Extendahoe®			
	Retracted		Extended	
	Standard	Power Lift	Standard	Power Lift
Boom Lift	Lift Capacity lb (kg)	Lift Capacity lb (kg)	Lift Capacity lb (kg)	Lift Capacity lb (kg)
+18 ft (5.50 m)	—	—	2,548 (1 156)	2,710 (1 229)
+16 ft (4.87 m)	—	—	2,783 (1 262)	2,961 (1 343)
+14 ft (4.27 m)	3,688 (1 673)	3,923 (1 779)	2,967 (1 346)	3,156 (1 431)
+12 ft (3.66 m)	3,898 (1 768)	4,147 (1 881)	3,037 (1 378)	3,231 (1 465)
+10 ft (3.05 m)	3,937 (1 786)	4,188 (1 900)	3,051 (1 384)	3,246 (1 472)
+8 ft (2.44 m)	3,908 (1 773)	4,158 (1 886)	3,052 (1 384)	3,247 (1 473)
+6 ft (1.83 m)	3,853 (1 748)	4,099 (1 859)	3,037 (1 378)	3,231 (1 466)
+4 ft (1.22 m)	3,785 (1 717)	4,027 (1 827)	3,011 (1 366)	3,203 (1 453)
+2 ft (0.61 m)	3,720 (1 687)	3,957 (1 795)	2,983 (1 353)	3,174 (1 440)
Ground Level	3,657 (1 659)	3,891 (1 765)	2,970 (1 347)	3,160 (1 433)
-2 ft (0.61 m)	3,606 (1 635)	3,836 (1 740)	2,946 (1 336)	3,134 (1 422)
-4 ft (1.22 m)	3,572 (1 620)	3,800 (1 724)	2,929 (1 329)	3,116 (1 413)
-6 ft (1.83 m)	3,565 (1 617)	3,793 (1 720)	2,924 (1 326)	3,111 (1 411)
-8 ft (2.44 m)	3,609 (1 637)	3,839 (1 741)	2,941 (1 334)	3,129 (1 419)
-10 ft (3.05 m)	3,776 (1 713)	4,017 (1 822)	2,985 (1 354)	3,175 (1 440)
-12 ft (3.66 m)	3,900 (1 769)	4,149 (1 882)	3,102 (1 407)	3,300 (1 497)
-14 ft (4.27 m)	—	—	3,307 (1 500)	3,519 (1 596)
Dipper Lift				
+16 ft (4.87 m)	—	—	4,312 (1 956)	4,312 (1 956)
+14 ft (4.27 m)	5,853 (2 655)	5,853 (2 655)	4,020 (1 823)	4,020 (1 823)
+12 ft (3.66 m)	6,409 (2 907)	6,409 (2 907)	5,252 (2 382)	5,252 (2 382)
+10 ft (3.05 m)	6,650 (3 016)	6,650 (3 016)	4,849 (2 200)	4,849 (2 200)
+8 ft (2.44 m)	6,903 (3 131)	6,903 (3 131)	4,945 (2 243)	4,945 (2 243)
+6 ft (1.83 m)	6,928 (3 142)	6,928 (3 142)	4,670 (2 118)	4,670 (2 118)
+4 ft (1.22 m)	7,953 (3 608)	7,953 (3 608)	4,424 (2 007)	4,424 (2 007)
+2 ft (0.61 m)	—	—	5,103 (2 315)	5,103 (2 315)

NOTE: Boom and Dipper Lift Capacities are rated per SAE J31 and are 87% of the maximum hydraulic lift force available with the specified options.

BACKHOE OPERATIONAL DATA

	Extendahoe®	
	Retracted	Extended
Digging depth:		
Maximum	15 ft 6 in (4.72 m)	19 ft 6 in (5.94 m)
Maximum with hi-capacity bucket	16 ft 0 in (4.88 m)	20 ft 0 in (6.10 m)
2 ft (610 mm) flat bottom	15 ft 5 in (4.69 m)	19 ft 5 in (5.92 m)
8 ft (2.44 m) flat bottom	14 ft 5 in (4.40 m)	18 ft 8 in (5.63 m)
Overall reach from:		
Rear axle centerline	23 ft 3 in (7.10 m)	27 ft 2 in (8.28 m)
Swing pivot	19 ft 7 in (5.98 m)	23 ft 6 in (7.17 m)
Loading height	13 ft 1 in (4.00 m)	15 ft 9 in (4.81 m)
Loading reach – dipper retracted	5 ft 1 in (1.56 m)	8 ft 1 in (2.47 m)
Swing arc	180°	180°
Bucket rotation:		
Mechanical coupler	198.0°	198.0°
Hydraulic coupler – Extendahoe® dipper	194.8°	194.8°
Hydraulic coupler – standard dipper	198.0°	198.0°
Stabilizer spread – operating – centers:		
Flip pad	10 ft 9 in (3.26 m)	10 ft 9 in (3.26 m)
Cast pad	11 ft 1 in (3.37 m)	11 ft 1 in (3.37 m)
Digging force:		
Bucket cylinder – SAE rated 3,460 psi	15,132 lb (67 310 N)	15,132 lb (67 310 N)
Bucket cylinder – Power Lift	15,853 lb (70 520 N)	15,853 lb (70 520 N)
Dipper cylinder – SAE rated 3,460 psi	10,575 lb (47 041 N)	7,392 lb (32 882 N)
Dipper cylinder – Power Lift	11,080 lb (49 285 N)	7,744 lb (34 450 N)
Leveling angle:		
Flip pad	11.2°	11.2°
Cast pad	12.0°	12.0°

NOTE: Lift capacities apply straight to the rear of prime mover. 4WD equipped with 24 in (610 mm) Universal HD trenching bucket and Case coupler except as noted.

STANDARD EQUIPMENT

OPERATOR ENVIRONMENT

See page 1

ENGINE

FPT F5BFL413A diesel
Selective Catalytic Reduction – SCR
Aspirated air cleaner – replaceable dual element dry type with radial seal
Fuel filter with water trap
Radiator with de-aeration bottle
Antifreeze to -34° F (-37° C)
Electronic throttles – foot and rotary hand
Self adjusting belt
High Pressure Common Rail computer controlled injection with diagnostic features
Engine ECO Mode – Detent on backhoe hand throttle, push button switch on dash
Auto Engine Idle
Auto Engine Shutdown
Auto Protection Shutdown
Electronic Fuel Priming
Cold Weather Starting Aid:
Dual 12 volt batteries, glow plugs, engine block heater and heated CCV hose

DRIVETRAIN

PowerDrive H-Type transmission, 4F-4R, hydraulic clutch shifting, kick down, transmission disconnect and FNR switch in loader control lever, includes auto shift mode and direct drive
Front axle:
4WD heavy-duty mechanically driven front axle with 14.0 L x 17.5 tires and drive shaft guard
Rear axle:
4WD heavy-duty outboard planetary drive, with 21.0 L x 24.0 tires
Torque converter – 11.8 in (300 mm)
On-the-go electric 4WD control
Electric F/R shuttle control
Electric differential lock control, push-button
Park brake, spring-applied hydraulic release – SAHR

HYDRAULICS

Ground level remote hydraulic test ports
Variable displacement axial piston pump
Pump:
43 gpm @ 3,000 psi
(162.6 L/min @ 207 bar)
Heavy-duty hydraulic oil cooler
7-micron, spin on oil filter

LOADER

Bucket position indicator; Lifting lugs and tie downs on standard bucket; Single lever control with self-leveling and return-to-dig; Hand operated clutch disconnects on loader and shift levers, single lever 4-function loader control: lift, dump, clutch cut-out, differential lock and FNR switch

BACKHOE

Over center design, Fabricated “S” boom; Pro Control System; Dipperstick integrated serrated gripper teeth; Case mechanical coupler; Power Lift, Power Boost
Cleated dirt stabilizer pads
Extendahoe®

OTHER

Front tire 14.0 L x 17.5, 10 PR – 4WD
Rear tire 21.0 L x 24.0, 10 PR
Forward tilt engine hood
Replaceable, molded front bumpers
Front/Rear tie downs
Reflective logos
Signal Lights – cab and canopy:
2 rear tail/stop
2 front flashers/turn
2 rear flashers/turn
Working/Driving Lights – cab and canopy:
Adjustable halogen work lights – 55 W:
4 front
2 side – one left, one right
4 rear
Master disconnect switch and remote jump-start terminals
Hydrostatic steering
Backup alarm
Vertical spin-on engine oil, fuel and hydraulic filters
Locking DEF/Fuel covers
Tool box – bolt-on, step-mounted

TELEMATICS

CASE SiteWatch™ Telematics – includes hardware and a 3-yr Advanced data subscription

WARRANTY

1-Year/Unlimited-Hour Full-Coverage Base Limited Warranty
2-Year/2,000-Hour Extended Engine Warranty

OPTIONAL EQUIPMENT

OPERATOR ENVIRONMENT

Speed selectable Auto Ride Control – 4WD models
Comfort Steering with two-speed steering pump and 3rd/4th gear cutout
ROPS/FOPS certified protective cab available in LH Door or 2 door with heat, A/C, defroster, door activated dome light, 4 front, 4 rear and 2 adjustable side lights, floor mat, tinted glass, bluetooth radio, front and rear wiper and fender extensions
Deluxe Cab package included on 2-door cabs includes: deluxe interior, viscous fan, pull-down sun visor and 72 dba sound level
Premium multi-color, hand stitched cloth, heated air suspension seat – not for use with ROPS Canopy option

ENGINE

Severe Cold Weather Starting Aid:
Synthetic transmission, hydraulic and engine oil – order with cold weather starting aid

LOADER

Auxiliary hydraulics for loader-mounted equipment with thumb-operated proportional control
Hydraulic front quick coupler
Loader linkage without loader bucket
Tool portfolio of additional attachments
Buckets – see page 2

BACKHOE

1-way/2-way Auxiliary backhoe hydraulics for hammers, plate compactors or similar
1-way flow attachments or switch to 2-way flow for thumbs, augers or similar 2-way flow attachments
Bolt-on hardened gripper teeth
Two-lever control
Pilot operated control system:
Fingertip proportional Electro-Hydraulic stabilizer controls
Thumb-operated proportional Electro-Hydraulic Extendahoe® control
Thumb-operated horn button
Thumb-operated auxiliary hydraulic control
Infinitely adjustable towers
In-cab switchable “excavator to backhoe” control pattern change Standard dipper
Flip over stabilizer pads
Hydraulic bucket coupler
Universal coupler – CAT/Deere compatible
Buckets – see page 2
Hydraulic thumb – Includes: 2 replaceable, high strength, bolt on tines with two positions for Universal or Hi-Cap buckets – meshes with Bucket teeth on 18 in & 24 in Buckets

OTHER

Front tires:
14.0 L x 17.5 10 PR
Rear tires:
21 L x 24, 10 PR or 540/70 R24 Michelin
Special paint
LED Working/Driving Light Package:
4 front
4 rear
2 side
Front Fenders
Special Feature Request

CaseCE.com

©2020 CNH Industrial America LLC. All rights reserved. CASE is a trademark registered in the United States and many other countries, owned by or licensed to CNH Industrial N.V., its subsidiaries or affiliates. CNH Industrial Capital is a trademark in the United States and many other countries, owned by or licensed to CNH Industrial N.V., its subsidiaries or affiliates. Printed in U.S.A. Contains 10% post-consumer fiber.

IMPORTANT: CASE Construction Equipment Inc. reserves the right to change these specifications without notice and without incurring any obligation relating to such change. Availability of some models and equipment builds vary according to the country in which the equipment is used. The illustrations and text may include optional equipment and accessories and may not include all standard equipment. Your CASE dealer/distributor will be able to give you details of the products and their specifications available in your area.



CASE Construction Equipment is biodiesel-friendly. NOTE: All engines meet current EPA emissions regulations. All specifications are stated in accordance with SAE Standards and Recommended Practices, where applicable.



Always read the Operator's Manual before operating any equipment. Inspect equipment before using it, and be sure it is operating properly. Follow the product safety signs and use any safety features provided.

Form No. CCE202012590SN
Replaces Form No. CCE201810590SN

590SN

7 of 7

Your Local Okada Dealer



COUNT ON OKADA.



Since 1995, Okada America, Inc. has been offering a wide variety of attachments through its parent company, Okada Aiyon located in Osaka, Japan.

Okada Aiyon was established in 1938 manufacturing a single line of breakers that has evolved into a global company producing a full line of demolition attachments.

The Okada family remains active in daily operations, still demands precision engineering with stringent quality control that ensures long product life and consistent quality output. These proven manufacturing guidelines are what drives Okada to become the global industry leader for hydraulic attachments.



OREGON

12950 SE HWY 212 BLDG D
CLACKAMAS, OR 97015

503.557.7033 | F 503.557.7779

TEXAS

115 COMMERCE BLVD

CLEBURNE, TX 76033

OHIO

904 MEDINA RD.

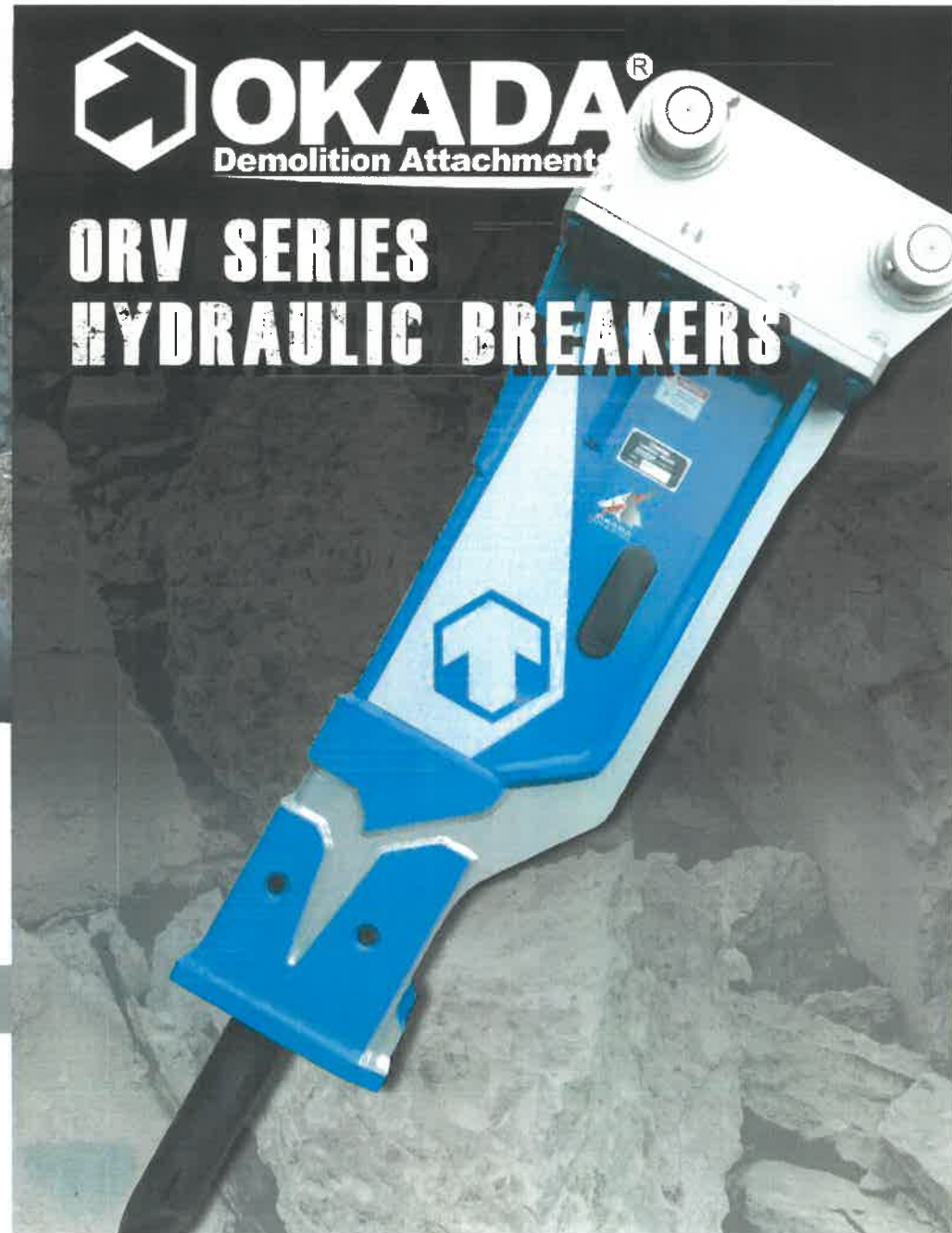
MEDINA, OH 44256

330.239.2666 | F 330.239.3670



WWW.OKADAAMERICA.COM

1/2020



OKADA[®]
Demolition Attachment

**ORV SERIES
HYDRAULIC BREAKERS**

HYDRAULIC BREAKER

COUNT ON OKADA



FEATURES

PISTON



SHANK BUSHING



FRONT CAP BUSHING



VALVE



ACCUMULATOR



OVAL CHISEL PIN



ORV Series hydraulic breakers are the result of decades of field experience and Okada's long-standing record of leadership in the industry. Thirteen models of ORV hydraulic breakers provide a broad range of solutions for your skid steer loaders, compact excavators, tractor loader backhoes and excavators.

SPECIFICATIONS

	MODEL	250LT	250H	405H	550H	800SH	1100H	1500H	2500H	3000H	4000H	5000H	7500H	10000H	12000H
INFORMATION															
Carrier Class	1000 lb	1.6 - 5	2.2 - 5	3.3 - 8.8	6.6 - 14.2	10 - 18	10 - 18	13 - 22	22 - 34	28 - 40	38 - 54	44 - 66	60 - 92	76 - 132	99 - 176
	m ton	7 - 2.3	1 - 2.3	1.5 - 4	3 - 6.4	4.5 - 8	4.5 - 8	6 - 10	10 - 15	13 - 18	17 - 25	20 - 30	27 - 42	35 - 60	45 - 80
Impact Energy Class	ft lb	150	225	375	550	850	1100	1500	2500	3000	4000	5000	7500	10000	12500
	Joules	203	305	509	746	1153	1492	2034	3390	4068	5424	6780	10170	13560	16950
Operating Weight	lb	195	265	413	575	730	1118	1667	1990	2550	3500	4400	5950	8400	9921
	kg	88	120	187	261	331	507	756	902	1156	1587	1995	2698	3810	4499
Unit Working Length	inch	48	48	55	62	63	75	83	89	91	103	114	124	141	142
	cm	122	122	139	157	160	190	212	226	231	262	290	315	358	361
Tool Diameter	inch	1.77	1.77	2.24	2.75	2.95	3.15	3.54	4.1	4.5	5.3	5.7	6.1	6.7	7.1
	mm	45	45	57	70	75	80	90	104	114	135	145	155	170	180
Tool Working Length	inch	11.9	11.9	14.1	15.9	16.2	19.5	22.6	23.4	24	28.9	28.2	30.2	34.9	32
	mm	302	302	357	404	411	496	575	594	610	734	716	767	886	813
Frequency	L Model bpm	550-1000	550-1000	600-1500	380-1000	380-900	400-800	350-700	350-550	320-550	320-480	270-400	230-400	230-330	270-380
	S Model bpm	n/a	n/a	n/a	n/a	n/a	600-1100	490-1000	600-900	400-4700	400-600	330-500	270-470	270-500	380-530
85 db (A) Level Distance	ft	-	8 - 15	25 - 36	30 - 50	35 - 58	57 - 95	65 - 91	75 - 105	78 - 109	83 - 116	98 - 137	119 - 167	120 - 162	131 - 177
	m	-	2.4 - 5	7.6 - 11	9.1 - 15.2	11 - 18	17 - 19	20 - 28	23 - 32	24 - 33	25 - 35	30 - 42	36 - 51	36 - 49	40 - 54
ENERGY															
Mechanical Energy	hp	3.6 - 11	4.5 - 11	4.6 - 19	12 - 30	17 - 33	14 - 37	15 - 38	35 - 65	45 - 78	62 - 98	73 - 117	98 - 133	94 - 158	101 - 176
	kW	2.7 - 8	3.3 - 8	3 - 14	9 - 22	13 - 25	10 - 28	11 - 28	26 - 48	33 - 58	47 - 73	55 - 87	73 - 99	70 - 117	75 - 131
Mechanical Energy Average	hp	7.3	7.8	11.8	21	25	25.5	26.5	50	61.5	80	95	115.5	126	138.5
	kW	5.4	6	9	16	19	19	20	37	46	60	71	86	94	103
HYDRAULICS															
Oil Flow Range	gpm	4 - 9	5 - 9	8 - 18	11 - 18	14 - 20	15 - 23	16 - 26	25 - 35	32 - 42	40 - 53	47 - 63	63 - 72	64 - 85	69 - 95
	lpm	15 - 34	19 - 34	30 - 70	49 - 64	64 - 83	56 - 87	60 - 98	83 - 117	110 - 132	114 - 132	163 - 200	178 - 238	238 - 273	280 - 352
Operating Pressure	psi	1300-1740	1300-1740	1280-1706	1600-2400	1740-2400	1990-2418		2030 - 2700		2275 - 2700			2130 - 2700	
	bar	90 - 120		88 - 118	110 - 165	120 - 165	137 - 167		140 - 180		157 - 180			147 - 180	

- 1) Box style housings are available for all models. The model ORV550H, 800SH, 1100H, 1500H and larger units are all box housed units as the standard configuration.
- 2) Sound attenuated box housed units required for approximated noise level distances provided.
- 3) The L- mode frequency is the normal mode.
- 4) Operating weight includes complete breaker assembly with UMB.

WORKING TOOLS

Selected special high quality steel and the most advanced heat treatment available anywhere ensure outstanding wear and shock resistance.

MOIL POINT • CROSS CUT CHISEL • BLUNT



June 30, 2021

City of Washington
 Public Works Department
 301 Walnut St.
 Washington, IL 61571

RE: NO. PW-21-12



We are pleased to provide the following proposal for your review:

One (1) New CAT® 420XE Backhoe Loader, S/N H9X00282

Includes the following standard equipment and options:

- | | |
|--|--|
| Sound Suppressed, ROPS/FOPS Cab | CAT C3.6 ACERT™ Tier 4f Engine |
| Air Conditioner & Heater/ Defroster | 4WD Powershift Transmission |
| CAT Comfort Air Suspension, Cloth Seat | 120V Engine Heater |
| Front & Rear Window Wipers/ Washers | Two, Maintenance Free 850 CCA Batteries |
| 4 LED Head Lights, 4 LED Rear Flood Lights | Flip-Over Stabilizer Pads |
| Hazard Flashers, Turn Signals, Stop & Tail Lights | Six-Function Backhoe Hydraulics |
| Front Tires: 12.5 80-18, 12PR | Extendible-Stick (E-Stick) |
| Rear Tires: 500 70-24, 20PR | 1,015 lbs. Counterweight |
| E/H Loader Controls | CAT Product Link Ready |
| Single Tilt Loader | AM/FM Radio |
| Return-To-Dig and Self-Leveling Controls | Mechanical Rear Coupler w/ Dual Lock |
| Multi-Purpose Loader Hydraulics w/ IT Coupler | CAT 24" High Capacity 8.5 ft ³ Bucket w/ Tips |
| CAT 1.31 yd ³ Multi-Purpose Loader Bucket | Seat Mounted Controls |
| Bolt-On Cutting Edge | Ride Control |
| Front Fenders | Security Bluetooth Key |

Equipment Protection Plan (EPP)

Includes 12-Months Premier EPP & 60 month / 2,000 hour PWT+HYD+TECH EPP.

CAT 420XE	\$ 110,000.00
CAT B6 Hammer (incl. bracket, lines & tools)	\$ 7,000.00
SUB-TOTAL	\$ 117,000.00
420F IT & NPK Hammer Trade Value	\$ (30,000.00)

Net Difference **\$ 87,000.00**

**Altorfer is offering a Guaranteed Buyback to the City of Washington
 60 months / 2,000 hours = \$60,000**

Availability

MACHINE IN STOCK. Available in 2 weeks, subject to prior sale.

We appreciate the opportunity to submit this proposal, and trust that it will merit your favorable consideration.

Sincerely,

A handwritten signature in black ink, appearing to read 'Regan Jones', with a long horizontal flourish extending to the right.

Regan Jones | Altorfer CAT

309.573.3903 | regan.jones@altorfer.com

CAT 420XE
BACKHOE LOADER BID SPECIFICATION

EXCEPTIONS

- 1. Is Backhoe built in the United States?**
 - a. No. The machine is built in Leicester, England. The machine is assembled in England and shipped to North Carolina or Texas. Machines' final pre-delivery inspection takes place in North Carolina or Texas before being shipped to the dealer.

- 2. The transmission shall be hydraulically actuated powershift and a torque converter with transport speed of 24 mph or greater. The machine shall have clutch-free, synchronized, five forward and three reverse speeds.**
 - a. No. The CAT machine has a powershift transmission but no torque converter. The max speed of the CAT 420XE is 25 mph. However, safe operation suggests not exceeding 19-20 mph in-town driving with today's distractions. 20,000 lbs. does not stop immediately; therefore CAT offers 4 wheel braking while using 4WD or 2WD. This is exclusive to CAT. The CAT 420XE offers 4 forward gears and 3 reverse gears. Furthermore, 4WD engages when both brakes are depressed at speeds greater than 12+ MPH.

- 3. Minimum digging depth shall be 14' and 18' extended.**
 - a. No. The CAT machine has a 14' digging depth and 17'8" extended digging depth.

- 4. Machine shall lift 4,100 lbs., 5' off the ground when fully extended**
 - a. No. The CAT machine has a BOOM lifting capacity of 4,000 lbs. up to 12' in height. The CAT machine has a STICK lifting capacity of 4,451 lbs. up to 8' in height. Furthermore, the CAT 420XE has 15% more boom lifting capacity than the previous models, the 420F and 420F2. The machine will not have issues lifting heavy objects such as manholes, road plates and smaller trench boxes.

- 5. Machine will be equipped with GP bucket as standard equipment.**
 - a. No. This CAT machine comes with an MP bucket at no extra cost to the City of Washington. The MP bucket is a \$6,000 premium that CAT and ALTORFER are including. If the City elects not to receive the premium bucket, ALTORFER will supply a GP bucket at no extra charge.

- 6. Machine will be equipped with GP bucket as standard equipment.**
 - a. See above. Repeat spec.

- 7. Machine shall have full 1-year comprehensive manufacturer's warranty.**
 - a. YES. However, ALTORFER has included a 60 month / 2,000-hour Powertrain + Hydraulic + Technology EPP (warranty) at no extra cost to the City of Washington. Previously, the City of Washington has requested additional warranty. The current 420F being traded was originally sold with a 60 month / 2,000 hour warranty.

8. The 420XE is a premium model fitting between the 420 and 430. No other manufacturer builds a backhoe in this size class. The 420XE provides 10% better fuel economy and 15% more lifting capacity than the City's current 420F machines. This machine is in stock and presented to ALTORFER at a discounted rate specifically for the City of Washington by Caterpillar.

2020 Backhoe Loader Competitive Lineup									
Make	Industrial Loader		14 ft.				15 ft.		17 ft.
Cat	415IL	415	416	420	420XE	430	440	450	
Horsepower (net)	69	70	86	92	92	107	104	131	
Operating Weight- Base Config (lb)	14035	15426	16532	17271	17,271	18,051	21544	24,039	
Hinge Pin Height	11'5"	11'5"	11'5"	11'5"	11'5"	11'5"	11'11"	12'	
Loader Lift Capacity (lb)	5864	6730	6730	7230	7230	7230	8782	9866	
Digging Depth- Standard		14'	14'	14'	14'	15'2"	15'6"	17'0"	
Bucket Digging Force- Std (lb)		13290	13290	14431	14431	18163	16890	17782	
John Deere	210L EP	210L	310L EP	310L	310SL	310SL HL	410L	510L	
Horsepower (net)	73	93	89	93	99	110	113	148	
Operating Weight- Base Config (lb)	13,449	14206	13822	14669	15872	16,571	17,786	25,588	
Hinge Pin Height	10' 11"	10' 11"	11' 5"	11' 5"	11'5"	11' 3"	11'4"	12'3"	
Loader Lift Capacity (lb)	5432	5432	6435	6435	7632	7552	7211	9866	
Digging Depth- Standard	-	-	14' 1"	14' 1"	14'3"	15' 1"	15' 11"	17' 3"	
Bucket Digging Force- Std (lb)	-	-	10844	10844	12356	15723	17350	18959	
Case	570N EP	580N EP	580N	580 Super N	580 Super N V1	590 Super N			
Horsepower (net)	72	68	83	95	108	108			
Operating Weight- Base Config (lb)	14508	15795	16589	17269	20,077	19,307			
Hinge Pin Height	11' 3"	11' 3"	11' 3"	11' 3"	11' 3"	11' 6"			
Loader Lift Capacity (lb)	6503	6503	6803	7044	8425	8202			
Digging Depth- Standard	-	14'11"	14' 8"	14' 4"	14' 5"	15' 5"			
Bucket Digging Force- Std (lb)	-	11517	11517	13975	13975	15132			

PROPOSAL

The undersigned proposes, in accordance with the terms and conditions of the Contract Documents, of which this Proposal is a part, to furnish 1 Backhoe Loader with hydraulic hammer to the City of Washington

Quantity: 1

Description: **Backhoe Loader**

Price of Fully Assembled and Demonstrated full Working Condition \$ 110,000

Trade Allowance 2012 Cat 420F IT VIN# JWJ00656 \$ 28,000

Description: **Hydraulic Hammer**

Price of Fully Assembled and Demonstrated full Working Condition \$ 7,000

Trade Allowance NPK H-3XA SN37595 \$ 2,000

Total - Backhoe and Hydraulic Hammer After Trades \$ 87,000

Cash Billing Terms: NET 30 AFTER MACHINE HAS BEEN DELIVERED

Person to Contact Regarding This Proposal: REGAN JONES

Phone Number: 309-573-3903

The undersigned also acknowledges having received a full set of the Contract Documents and Addenda Nos. 1 (None unless indicated).

Signature: 

Name of Business: ALTORFER, INC.

Business Address: 1 CAPITOL DR.

EAST PEORIA, IL 61611

Business Phone: 309-694-1234

**Addendum #1
To
PROPOSAL
For
Backhoe Loader with Hydraulic Hammer
Date: 6-29-2021**

Revisions:

(1) Revise the following from P-1 Spec No. PW-21-12

From

~~Trade Allowance 2012 Cat 420F IT VIN# JWJ00491~~ \$ ~~_____~~

To

Trade Allowance 2012 Cat 420F IT VIN# JWJ00656 \$ 28,000

SPECIAL PROVISIONS

1. Basis of Award

Unit price shown on the proposal shall include **all** delivery charges for the proposed equipment. **The City reserves the right to waive technicalities or to reject any and all bids when, in the opinion of the City Council, the best interests of the City of Washington will be served by such action.**

6. Ordering and Delivery

Order shall be placed by telephone direct to the selected vendor by personnel of the City of Washington, Department of Public Works. A purchase order number will be furnished to the vendor and a delivery date will be agreed to at that time.

7. Billing

An invoice for the accepted equipment will be presented at the time of delivery, a check will be presented for payment. The invoice must clearly show the description, unit price, and the City's Purchase Order number.

8. Price Escalation

The price quoted herein shall remain firm for the equipment ordered.

9. Certification of Compliance

In accordance with Article 33E of the Criminal Code of 1961, as amended, the bidder is required to fill out and submit with his proposal the Certification of Compliance included with this bid document.

10. Exceptions to Specifications

Any exceptions to the specifications and these provisions shall be clearly explained on a separate page by the bidder on his firm's letterhead, to be attached to and submitted with these documents prior to or at the time of bid opening. Should a bidder submit a proposal without a separate statement of exception, it shall be assumed the proposal is in full compliance with these specifications.

11. Corrections

All prices and notations must be typed in or written in ink.

CERTIFICATION OF COMPLIANCE

The undersigned, being first duly sworn on oath, deposes and states that he has the authority to make this certification on behalf of the bidder.

ALTORFER, INC.

(Name of Company)

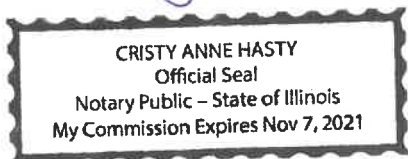
- (a) That in connection with this procurement,
- (1) the prices in this bid have been arrived at independently, without consultation, communication, or agreement, for the purpose or restricting competition, as to any matter relating to such prices with any other bidder or with any competitor;
 - (2) the prices which have been quoted in this bid have not been knowingly disclosed by the bidder and will not be knowingly disclosed by the bidder prior to opening directly or indirectly to any other bidder or to any competitor; and
 - (3) no attempt has been made or will be made by the bidder to induce any other person or firm to submit or not to submit a bid for the purpose of restricting competition.
- (b) The undersigned further states
- (1) he is the person in the bidder's organization responsible within that organization for the decision as to the prices being bid herein and that he has not participated, and will not participate, in any action contrary to (a)(1) through (a)(3) above; or
 - (2)(a) he is not the person in the bidder's organization responsible within that organization for the decision as to the prices being bid herein but that he has been authorized to act as agent for the persons responsible for such decision in certifying that such persons have not participated, and will not participate, in any action contrary to (a)(1) through (a)(3) above, and as their agent does hereby so certify; and (b) that he has not participated, and will not participate in, any action contrary to (a)(1) through (a)(3) above.
- (c) The undersigned certifies that the bidder is not barred from bidding on this contract as a result of a conviction for the violation of State laws prohibiting bid-rigging or bid-rotating.
- (d) It is expressly understood that the foregoing statements, representations, and promises are made as a condition to the right of the bidder to receive payment under any award made hereunder.

Authorized Signature: _____

Title: TERRITORY SALES MGR.

SUBSCRIBED AND SWORN TO before me this

29th day of June, 2021
Cristy Anne Hasty
Notary Public



BACKHOE LOADER BID SPECIFICATION

Basic Specifications

Y <input checked="" type="checkbox"/>	N <input checked="" type="checkbox"/>	Is Backhoe built in the United States? <i>* See exception</i>
Y <input checked="" type="checkbox"/>	N <input type="checkbox"/>	Maximum operating weight must be less than 20,000 pounds
Y <input checked="" type="checkbox"/>	N <input type="checkbox"/>	Machine shall have full 1 year comprehensive manufacturers warranty <i>* See</i>
Y <input checked="" type="checkbox"/>	N <input type="checkbox"/>	Machine shall be equipped with an economy control function
Y <input checked="" type="checkbox"/>	N <input type="checkbox"/>	Maximum overall transport height shall be 11' -12' with standard tires and extendable stick
Y <input checked="" type="checkbox"/>	N <input type="checkbox"/>	Unit shall have a max. height to the top of canopy of 9' 3" w/std. tires
Y <input checked="" type="checkbox"/>	N <input type="checkbox"/>	Maximum overall transport length shall be 23'6" with standard tires, extendable stick, and loader coupler
Y <input checked="" type="checkbox"/>	N <input type="checkbox"/>	Units maximum width shall be no more than 7'7" with GP bucket
Y <input checked="" type="checkbox"/>	N <input type="checkbox"/>	Unit shall have a minimum wheel base of 7'1"

74
NOTE 8

Engine

Y <input checked="" type="checkbox"/>	N <input type="checkbox"/>	Engine must comply w/ US EPA Tier 4 Final/EU Stage IV off road emission
Y <input checked="" type="checkbox"/>	N <input type="checkbox"/>	Unit shall utilize Selective Catalytic Reduction (SCR)
Y <input checked="" type="checkbox"/>	N <input type="checkbox"/>	Engine shall have an economy mode to max fuel efficiency, while maintaining backhoe performance
Y <input checked="" type="checkbox"/>	N <input type="checkbox"/>	Unit shall have a hinged cooler system for easy cleanout
Y <input checked="" type="checkbox"/>	N <input type="checkbox"/>	The engine shall have a standard glow plug starting aid to -20 degrees F without using ether and electric engine coolant heater
Y <input checked="" type="checkbox"/>	N <input type="checkbox"/>	Engine shall be protected to -34 degrees w/extended life antifreeze
Y <input checked="" type="checkbox"/>	N <input type="checkbox"/>	Engine cooling fan shall have a heavy duty guard that prevents contact
Y <input checked="" type="checkbox"/>	N <input type="checkbox"/>	Engine shall have charging capacity of 140 amperes minimum
Y <input checked="" type="checkbox"/>	N <input type="checkbox"/>	Engine shall be equipped with one maintenance free battery with the option for two such batteries equaling 1800 CCA
Y <input checked="" type="checkbox"/>	N <input type="checkbox"/>	Engine shall be equipped with 12-volt starting and charging system
Y <input checked="" type="checkbox"/>	N <input type="checkbox"/>	Engine shall be equipped with a standard battery disconnect switch with easy access
Y <input checked="" type="checkbox"/>	N <input type="checkbox"/>	Engine shall be Turbocharged and at least 100HP and built by manufacturer
Y <input checked="" type="checkbox"/>	N <input type="checkbox"/>	Machine shall have a automatic engine speed control with auto idle and auto shutdown when not in use
Y <input type="checkbox"/>	N <input type="checkbox"/>	Engine net peak power shall be at least 105 HP (ISO 9249)
Y <input type="checkbox"/>	N <input type="checkbox"/>	The tilt hood shall have two service positions for easy operation

Powertrain/Transmission

Y <input type="checkbox"/>	N <input checked="" type="checkbox"/>	The transmission shall be hydraulically actuated powershift and a torque converter with transport speed of 24 mph or greater. The machine shall have clutch-free, synchronized, five forward and three reverse speeds <i>* see exception</i>
Y <input checked="" type="checkbox"/>	N <input type="checkbox"/>	The machine shall have a sealed axle, with no breather, and will be mechanical front wheel drive with traction control limited-slip differential with electric on/off control
Y <input checked="" type="checkbox"/>	N <input type="checkbox"/>	The manual 4WD shall have momentary 4WD standard or full time 4WD with the ability to lock out selected gears if required
Y <input checked="" type="checkbox"/>	N <input type="checkbox"/>	The clutch engaged MFWD can be engaged on the fly during operation
Y <input checked="" type="checkbox"/>	N <input type="checkbox"/>	The machine shall have hydrostatic power steering with emergency manual mode
Y <input checked="" type="checkbox"/>	N <input checked="" type="checkbox"/>	The machine shall have a dial throttle that will allow the operator to road



Y <input checked="" type="checkbox"/>	N <input type="checkbox"/>	the machine on cruise control and upon braking the RPM's return to idle
		The parking brake shall be independent of the service brakes, spring applied, hydraulically released, wet multi disk, and sealed
Hydraulic System		
Y <input checked="" type="checkbox"/>	N <input type="checkbox"/>	Machine shall be equipped with auto idle to lower rpm when hydraulics are not active to conserve fuel and reduce noise levels
Y <input checked="" type="checkbox"/>	N <input type="checkbox"/>	Hydraulic pump shall be at least 42 gpm @2200 rpm at 3625 psi closed center hydraulic pressure compensated load sensing, axial piston driven
Electrical		
Y <input checked="" type="checkbox"/>	N <input type="checkbox"/>	Cab shall be pre-wired for rotating beacon and radio ready
Y <input checked="" type="checkbox"/>	N <input type="checkbox"/>	Unit shall be equipped with optional LED lights
Operator Station		
Y <input checked="" type="checkbox"/>	N <input type="checkbox"/>	Access to the cab shall be from the right and left with protected, wide, rigid, slip resistant steps and ergonomically located hand holds
Y <input checked="" type="checkbox"/>	N <input type="checkbox"/>	3" retractable seatbelt shall be provided
Y <input checked="" type="checkbox"/>	N <input type="checkbox"/>	Machine manufacturer shall provide a factory installed onboard security system for total machine integration. System will have the ability to accommodate no less than ten operator codes
Y <input type="checkbox"/>	N <input checked="" type="checkbox"/>	The keyless start shall have an electric fuel shut-off and ability to have auto shutdown in monitor * see exception
Y <input checked="" type="checkbox"/>	N <input type="checkbox"/>	The tilt hood shall have two service positions for easy operation
Y <input type="checkbox"/>	N <input type="checkbox"/>	
Backhoe		
Y <input checked="" type="checkbox"/>	N <input type="checkbox"/>	Machine shall be able to grab current City of Washington attachments
Y <input type="checkbox"/>	N <input checked="" type="checkbox"/>	Minimum digging depth shall be 14' and 18' extended * see exception
Y <input type="checkbox"/>	N <input checked="" type="checkbox"/>	Machine shall lift 4100 pounds 5' off the ground when fully extended * see exception
Y <input type="checkbox"/>	N <input checked="" type="checkbox"/>	Machine will be equipped with GP bucket as standard equipment * see exception
Loader		
Y <input checked="" type="checkbox"/>	N <input type="checkbox"/>	The loader shall have a non-removeable, hinged loader boom service hook
Y <input checked="" type="checkbox"/>	N <input type="checkbox"/>	Loader coupler shall be able to grab current City of Washington attachments
Y <input checked="" type="checkbox"/>	N <input type="checkbox"/>	Loader bucket shall not roll back, and must not move under normal dig operations
Y <input checked="" type="checkbox"/>	N <input type="checkbox"/>	Loader shall have positive down pressure to lift tractor front end off the level ground
Y <input checked="" type="checkbox"/>	N <input type="checkbox"/>	Loader shall be equipped with a lift cylinder brace to mechanically hold the loader arms in the raised position
Y <input checked="" type="checkbox"/>	N <input type="checkbox"/>	Loader bucket shall be suitable for general purpose with heavy duty characteristics including high strength wear material in the leading edges of the lower side corners, equaling the material properties of the base cutting edge
Y <input checked="" type="checkbox"/>	N <input type="checkbox"/>	Loader bucket shall be self leveling for truck loading spoil
Y <input type="checkbox"/>	N <input checked="" type="checkbox"/>	Machine will be equipped with GP bucket as standard equipment * see exception
Brakes		
Y <input checked="" type="checkbox"/>	N <input type="checkbox"/>	Parking Brake shall activate automatically when engine shuts off regardless of whether the operator engages it or not